

Functional characteristics of the shock sensor

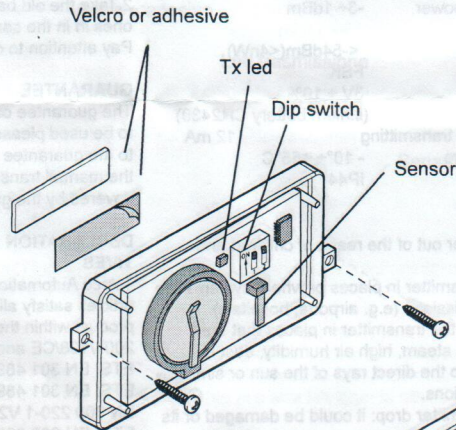
Description

Wireless shock sensor for forcing, sharp movement.
 The wireless shock sensor positioned on the rolling shutter or rolling door, sends wireless signals to the socket with buzzer to indicate an attempt to break in.
 For use with the receiver TVGSA868A01 set in mode 1.

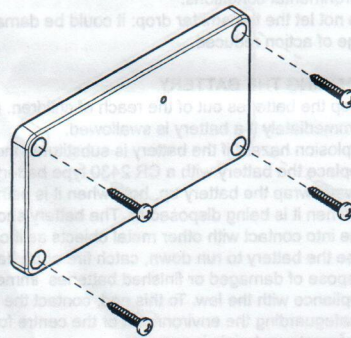
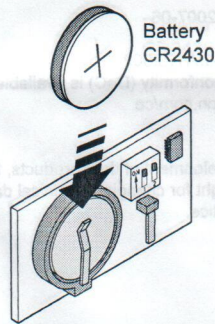
The product is equipped with a 2-way DIP switch for sensitivity adjustment.

DIP1	DIP2	Sensibility
Off	Off	High
On	Off	Medium
Off	On	Low
On	On	Low

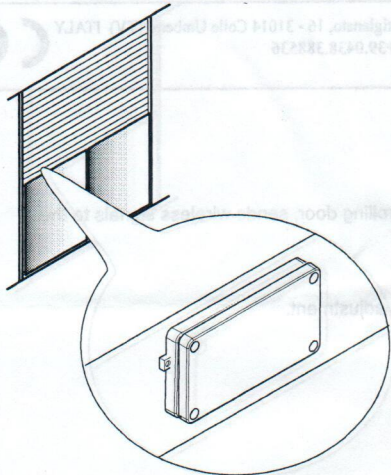
Mounting



Battery changing



Code Number:		Draft	Date
TVSSH868A01		Txxx	08/03/12



TECHNICAL SPECIFICATIONS

- Carrier frequency 868.3 MHz
- Apparent radiated power -3+ 1dBm
- Apparent power of harmonic products <-54dBm(<4nW)
- Modulation FSK
- Power supply 3V ± 10%
(lithium battery CR2430)
- Consumption when transmitting 12 mA
- Working temperature - 10°+ +55°C
- IP protection grade IP44

SAFETY RULES

- Keep this transmitter out of the reach of children and animals.
- Do not use the transmitter in places or where systems are sensitive to radio emissions (e.g. airports, hospitals).
- Do not keep or use the transmitter in places that are damp, where there is steam, high air humidity, dust or where it is exposed to the direct rays of the sun or similar environmental conditions.
- Do not let the transmitter drop: it could be damaged or its range of action reduced.

CHANGING THE BATTERY

- Keep the batteries out of the reach of children. Call a doctor immediately if a battery is swallowed.
- Explosion hazard if the battery is substituted incorrectly.
- Replace the battery with a CR 2430 type battery only.
- Always wrap the battery up, both when it is being stored and when it is being disposed of. The battery should not come into contact with other metal objects as it could cause the battery to run down, catch fire or be damaged.
- Dispose of damaged or finished batteries immediately in compliance with the law. To this end, contact the authorities for safeguarding the environment or the centre for disposing of waste materials in your area.
- Do not throw the battery away with household rubbish.

1. Open the cover.
 2. Take the old batteries out and put the new ones in in the same way.
- Pay attention to correct polarity (+/-)!



GUARANTEE

The guarantee complies with the law. If the guarantee has to be used please refer to the specialized retailer. The right to the guarantee is applicable only for the country in which the manual transmitter was purchased. The batteries are not covered by the guarantee.

DECLARATION OF CONFORMITY TO THE EU DIRECTIVES

Teleco Automation SRL declares that the above mentioned articles satisfy all the technical regulations applicable to the product within the scope of Council Directives 2006/95/CE, 2004/108/CE and 99/5/CEE, namely:

ETSI EN 301 489-3 V1.4.1:2002
 ETSI EN 301 489-1 V1.8.1:2008
 EN 300 220-1 V2.1.1:2006
 ETSI EN 300 220 - 2 V2.1.2:2007-06
 EN 50371 (2002)
 EN 60950-1:2006 EN 60950-1/A11:2009

A copy of the declaration of conformity (DoC) is available on the site: www.telecoautomation.com/ce

In the view of a constant development of their products, the manufacturer reserves the right for changing technical data and features without prior notice.